

Certificate



ISO Certificate TS Certificate VOC Certificate

CE Certificate

Model Number

EX:

80-25 J1 4

	TRIM TYPE
80	CONTOUR
81	V-PLUG
82	V-CAGE
83	MULTI-HOLE PLUG
84	MULTI-HOLE CAGE
85	TWO STAGE

	BODY SIZE	END CONNECTION	BODY MATERIAL
15	1/2"	J1 JIS 10K	3 CF8
20	3/4"	J2 IS 20K	4 CF8M
25	1"	A1 ANSI 150LB	S WCB
40	1-1/2"	A2 ANSI 300LB	F FC250
50	2"	A3 ANSI 600LB	6 CF3M
65	2-1/2"	P1 PN16	H HastelloyC
80	3"	P4 PN40	M Monel
04	4"	0 Other	0 Other
05	5"		
06	6"		
08	8"		
10	10"		



WYECO AUTO VALVES CO., LTD.

台北總公司 TAIPEI

地址：10482 台北市建國北路3段98號4樓 TEL: 886-2-25025166 FAX: 886-2-25012863
OFFICE: 4F, No.98, Sec.3, Chien Kuo North Rd., Taipei, 10482 Taiwan VAT NUMBER: 14078921

桃園廠 TAOYUAN

地址：33841 桃園縣蘆竹鄉竹林路三段2巷6號 TEL: 886-3-3245116 · 886-3-3244056 FAX: 886-3-3245196
FACTORY: No.6, Lane 2, Sec. 3, Shanlin Rd., Luzhu Township, Taoyuan County, 33841 Taiwan

麥寮廠 MAILIAO

地址：63861 雲林縣麥寮鄉三崁村中山1-150之4號 TEL: 886-5-6917552 · 886-5-6917991 FAX: 886-5-6915618
FACTORY: Rm. 4, No.1-150, Sansheng VII Zhongshan Mailiao Township, Yunlin County, 63861 Taiwan

高雄廠 KAOHSIUNG

地址：81465 高雄市仁武區鳳仁路293之2號 TEL: 886-7-3735236 FAX: 886-7-3735239
FACTORY: No.293-2, Fengren Rd., Renwu Shiang, Kaohsiung, 81465 Taiwan

伟瑛贸易(上海) WEI ZHUANG TRADE (SHANGHAI) CO., LTD.

地址：201109 上海市闵行区沪闵路2988号 TEL: 86-21-54436001 FAX: 86-21-54436860
OFFICE: No.2988, Humin Rd., Minhang Dist., Shanghai, 201109 PRC

Http://www.wyeco.com.tw

E-mail: wyeco@wyeco.com.tw

Professionally designing, manufacture, maintenance, modification, CV testing, assembly consultant, and chemical process for control valve.



Globe Control Valves

SINCE 1975

www.wyeco.com.tw

WYECO AUTO VALVES CO., LTD.



80 Series Control Valve





WEYCO AUTO VALVE CO., LTD, established in 1975, is one of the leading valve manufacturers in Taiwan. With obtaining the certificate of ISO 9001:2008, Wyeco is also an OEM supplier for several companies.

Main Products

1. Diaphragm Actuated Control Valve

2. Cylinder Actuated Control Valve
3. Cylinder Actuated Y-type Control Valve
4. Heat Medium 3-Way Control Valve
5. Manual Valve for Hyper-Cryogenic
6. Hyper-Cryogenic Emergency Shut-off Valve
7. Cylinder Actuated Ball Valve
8. Cylinder Actuated Butterfly Valve
9. Diaphragm / Cylinder Actuated Diaphragm Valve

Please contact us for more details

886-2-2502-5166

<http://www.wyeco.com.tw>

e-mail: wyeco@wyeco.com.tw

Globe Control Valves



Table of Contents

Features	02
Design Standard	03
Construction & Specification	04
Product Range	06
Dimension	07
Shut-Off Pressure	16
Valve Characteristic	17
C, Value	18
Model No.	Back Cover
Contact Information	Back Cover

Product Feature

Direction : Flow to Open (FTO)

Specification :

Low pressure drop, general medium, non-cavitation process, non-flashing process and non-noise process.

Top Guide / Cage Guide

Below 1.5" is top guide, above 2" is cage guide and balance type is available above 2.5" with full port.

Reduced Capacity and Low Flow Trim

A series of reduced trim is available to provide the wide flow range capabilities in all valve sizes. Optional trim is also available.

Pressure Capability

Shut-off Pressure of various actuators are fit the specific leakage classes, or can be calculated by using WYECO Sizing Program.

Leakage Class

Class IV is standard. Optional constructions meet IEC 60534-4 and ANSI/FCI 70.2 Class V and VI.

Quick Change Trim

Easy for maintenance.

Low Emission

Low Emission Packing to assure compliance with latest environmental regulations.

Optional : NACE Compliance

The 8000 Series is available for Sour Service Applications using design and construction methods in accordance with NACE Standard MR 0103-2010.

Applications requiring compliance to NACE Standard MR 0175/ISO 15156 -2009 require engineering review.

Design Features

- . Plug design : Contour Plug
- . Balanced / Unbalanced Plug
- . Quick-Change
- . Reduced Capacity
- . Leakage Class : Leakage IV, V (Metal Seat) and VI (Soft Seat)
- . Low Emission Packing
- . Bonnet Type : Standard / Extension / Bellows Seal

Design Standard

Valve Body

- ASME/ANSI B16.34 : Valve Flanged, Threaded and Welding End
- ASME/ANSI B16.5 : Pipe Flanged and Flanged Fitting
- ISA 75.03/IEC60534-3-1: Face to Face and End to End Dimension of Valve

Sizing & Test Procedure

- ANSI/ISA S75.01 : Flow Equations for Sizing Control Valve
- ISA S75.02: Control Valve Capacity Test Procedures
- ISA S75.11: Inherent Flow Characteristic and Rangeability
- ISA S75.25: Test Procedure for Control Valve Response Measurement from Step Inputs
- IEC 60534-8-3: Noise considerations – Prediction of noise generated by hydrodynamic flow
- IEC 60534-8-4: Noise considerations – Control valve aerodynamic noise prediction method

Leakage & Hydrostatic test

- ANSI / FCI 70 -2/B16.104 /IEC 60534 -4 : Leakage test

Hydrostatic test

- ANSI/ISA-75.19.01/B16.34

VOC Test:

- ISO-15848-1、2/EPA Method 21

NACE International (Also available)

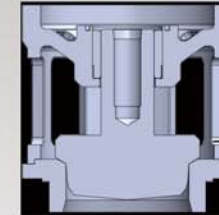
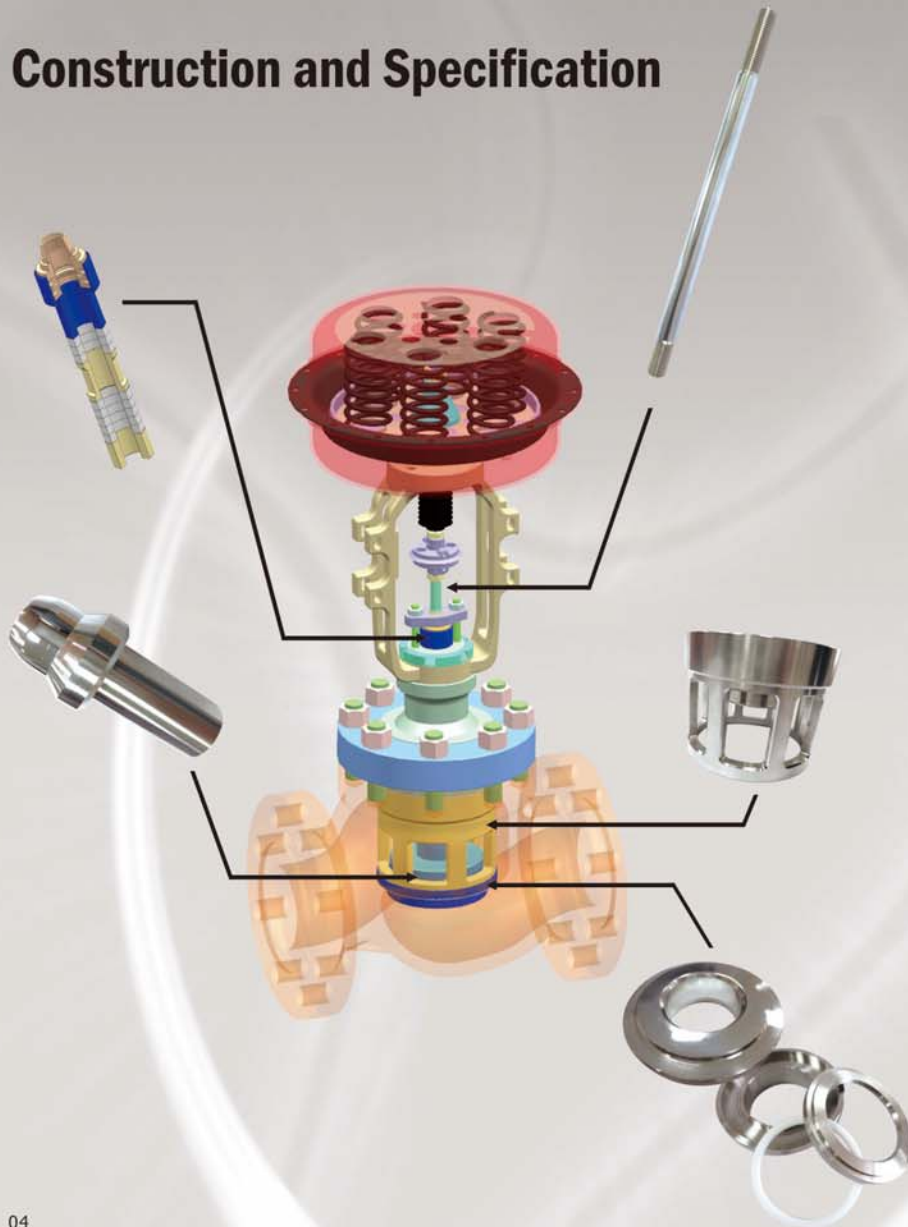
- NACE 0175 :
Petroleum and Natural Gas Industry-Materials for Use in H₂S Containing Environment in Oil and Gas Production
- NACE 0103 :
Materials Resistant to Sulfide Stress Cracking in Corrosive Petroleum Refining Environments

Application

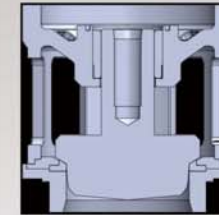
1. Machine, Instrument Industry
2. Petrochemical Industry
3. Chemical Industry
4. Textile Industry
5. Gas & Semiconductor Industry
6. Water Treatment Industry
7. Steel Industry
8. General Industry
9. Pulp & Paper Industry



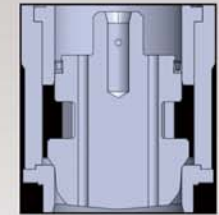
Construction and Specification



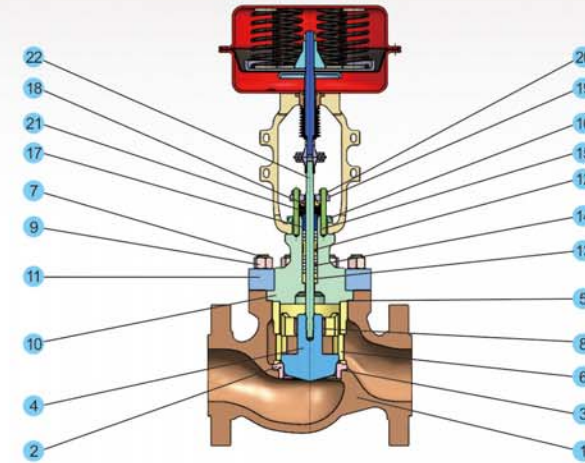
METAL / UNBLANCE



SOFT / UNBLANCE



METAL / BALANCE

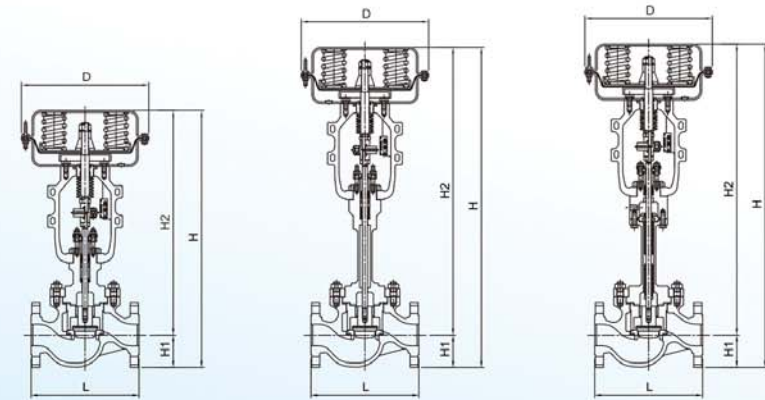


- | | |
|--------------------|-----------------------|
| 1 Body | 12 Lantern Ring |
| 2 Seat & Gasket | 13 Packing Ring |
| 3 Seat Ring Gasket | 14 Gland-Packing |
| 4 Plug | 15 Packing Bolting |
| 5 Bonnet Gasket | 16 Drive Nut |
| 6 Retainer | 17 Packing Follower |
| 7 Bonnet Stud | 18 Dust Cover |
| 8 Guiding Bushing | 19 Packing Flange |
| 9 Bonnet Stud Nut | 20 Packing Flange Nut |
| 10 Bonnet | 21 Disk Spring |
| 11 Bonnet Ring | 22 Stem |

Product Range

Body Type		High Capacity Globe
Body Size		1/2"~4"
End Connection		ANSI 150LB, 300LB, 600LB JIS 10, 20K PN 16, PN25, PN40
Body Material		A216 WCB A351 CF8 A351 CF8M A351 CF3M Hastelloy C Optional
Bonnet Type		Standard (-17°C~210°C)
		Extension (-196°C~280°C)
		Bellows (-196°C~350°C)
Leakage Class		IV, V, VI
Trim	Type	Contour
	Seat	Metal
		Soft
	Flow Character	Linear
		EQ%
ON-OFF		

Dimension



Standard

Extension

Bellows Seal

Face to Face : ISO 5752

Pressure Rating : JIS 10K, 20K

Valve Size	L	H1		H2						H						D
				STANDARD		EXTENSION		BELLOWS		STANDARD		EXTENSION		BELLOWS		
		10K	20K	10K	20K	10K	20K	10K	20K	10K	20K	10K	20K	10K	20K	
15A	130	48	48	489	489	650	650	663	706	537	537	698	698	711	754	250
20A	150	50	50	489	489	660	660	663	706	539	539	710	710	713	756	250
25A	160	63	63	489	489	670	670	663	706	552	552	733	733	726	769	250
40A	200	70	70	517	517	696	696	689	732	587	587	766	766	759	802	300
50A	230	78	78	529	529	678	678	686	729	607	607	756	756	764	807	300
65A	290	88	88	576	576	790	790	841	1038	664	664	878	878	929	1126	300
80A	310	93	100	675	675	835	835	936	1133	768	775	928	935	1029	1233	350
100A	350	105	113	705	705	874	874	944	1141	810	818	979	987	1049	1254	350

Face to Face : ISO 5752

Pressure Rating : ANSI CL150, ANSI CL300

Valve Size	L			H1		H2						H						D
						STANDARD		EXTENSION		BELLOWS		STANDARD		EXTENSION		BELLOWS		
	CL150	CL300	CL150	CL300	CL150	CL300	CL150	CL300	CL150	CL300	CL150	CL300	CL150	CL300	CL150	CL300		
15A	130	45	48	489	489	650	650	663	706	534	537	695	698	708	754	250		
20A	150	49	59	489	489	660	660	663	706	538	548	709	719	712	765	250		
25A	160	54	62	489	489	670	670	663	706	543	551	724	732	717	768	250		
40A	200	64	78	517	517	696	696	689	732	581	595	760	774	753	810	300		
50A	230	76	83	529	529	678	678	686	729	605	612	754	761	762	812	300		
65A	290	89	95	576	576	790	790	841	1038	665	671	879	885	930	1133	300		
80A	310	95	105	675	675	835	835	936	1133	770	780	930	940	1031	1238	350		
100A	350	115	127	705	705	874	874	944	1141	820	832	989	1001	1059	1268	350		

Unit : mm

Face to Face : IEC 60534-3-1

Pressure Rating : ANSI CL150, ANSI CL300, ANSI CL600

Valve Size	L			H1			H2						H						D						
							STANDARD		EXTENSION		BELLOWS		STANDARD		EXTENSION		BELLOWS								
	CL150	CL300	CL600	CL150	CL300	CL600	CL150	CL300	CL600	CL150	CL300	CL600	CL150	CL300	CL600	CL150	CL300	CL600		CL150	CL300	CL600			
15A	184	190	203	45	48	48	489	489	506	650	650	667	663	706	842	534	537	554	695	698	715	708	754	890	250
20A	184	194	206	49	59	59	489	489	506	660	660	677	663	706	842	538	548	565	709	719	736	712	765	901	250
25A	184	197	210	54	62	62	489	489	506	670	670	687	663	706	842	543	551	568	724	732	749	717	768	904	250
40A	222	235	251	64	78	78	517	517	534	696	696	763	689	732	868	581	595	612	760	774	841	753	810	946	300
50A	254	267	286	76	83	83	529	529	546	678	678	802	686	729	865	605	612	629	754	761	885	762	812	948	300
80A	298	317	337	95	105	105	675	675	675	835	835	885	936	1133	1098	770	780	780	930	940	990	1031	1238	1203	350
100A	352	368	394	115	127	137	705	705	705	874	874	940	944	1141	1106	820	832	842	989	1001	1077	1059	1268	1243	350

Unit : mm

Face to Face : ISO 5752

Pressure Rating : DIN PN16, PN25, PN40

Valve Size	L			H1			H2						H						D				
							STANDARD		EXTENSION		BELLOWS		STANDARD		EXTENSION		BELLOWS						
	PN16	PN25	PN40	PN16	PN25	PN40	PN16	PN25	PN40	PN16	PN25	PN40	PN16	PN25	PN40	PN16	PN25	PN40		PN16	PN25	PN40	PN16
15A	130	48	48	489	489	489	650	650	650	663	706	706	537	537	537	698	698	698	711	754	754	250	
20A	150	53	53	489	489	489	660	660	660	663	706	706	542	542	542	713	713	713	716	759	759	250	
25A	160	58	58	489	489	489	670	670	670	663	706	706	547	547	547	728	728	728	721	764	764	250	
40A	200	75	75	517	517	517	696	696	696	689	732	732	592	592	592	771	771	771	764	807	807	300	
50A	230	83	83	529	529	529	678	678	678	686	729	729	612	612	612	761	761	761	769	812	812	300	
65A	290	93	93	576	576	576	790	790	790	841	1038	1038	669	669	669	883	883	883	934	1131	1131	300	
80A	310	100	100	675	675	675	835	835	835	936	1133	1133	775	775	775	935	935	935	1036	1233	1233	350	
100A	350	110	118	705	705	705	874	874	874	944	1141	1141	815	823	823	984	992	992	1054	1259	1259	350	

Unit : mm

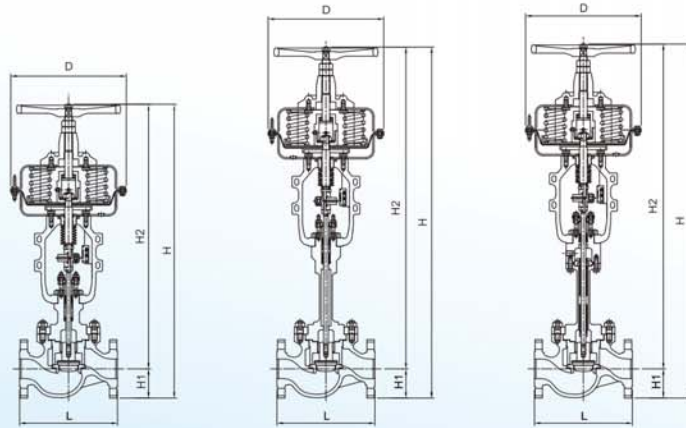
Face to Face : IEC 60534-3-1

Pressure Rating : DIN PN16, PN25, PN40

Valve Size	L			H1			H2						H						D						
							STANDARD		EXTENSION		BELLOWS		STANDARD		EXTENSION		BELLOWS								
	PN16	PN25	PN40	PN16	PN25	PN40	PN16	PN25	PN40	PN16	PN25	PN40	PN16	PN25	PN40	PN16	PN25	PN40		PN16	PN25	PN40	PN16	PN25	PN40
15A	184	190	190	48	48	48	489	489	506	650	650	650	663	706	706	537	537	537	698	698	698	711	754	754	250
20A	184	194	194	53	53	53	489	489	506	660	660	660	663	706	706	542	542	542	713	713	713	716	759	759	250
25A	184	197	197	58	58	58	489	489	506	670	670	670	663	706	706	547	547	547	728	728	728	721	764	764	250
40A	222	235	235	75	75	75	517	517	534	696	696	696	689	732	732	592	592	592	771	771	771	764	807	807	300
50A	254	267	267	83	83	83	529	529	546	678	678	678	686	729	729	612	612	612	761	761	761	769	812	812	300
80A	298	317	317	100	100	100	675	675	675	835	835	835	936	1133	1133	775	775	775	935	935	935	1036	1233	1233	350
100A	352	368	368	110	118	118	705	705	705	874	874	874	944	1141	1141	815	823	823	984	992	992	1054	1259	1259	350

Unit : mm

ATO, Normal Close with Handwheel



Standard

Extension

Bellows Seal

Face to Face : ISO 5752

Pressure Rating : JIS 10K, 20K

Valve Size	L	H1		H2						H						D
				STANDARD		EXTENSION		BELLOWS		STANDARD		EXTENSION		BELLOWS		
		10K	20K	10K	20K	10K	20K	10K	20K	10K	20K	10K	20K	10K	20K	
15A	130	48	48	648	648	809	809	822	865	696	696	857	857	870	913	250
20A	150	50	50	648	648	819	819	822	865	698	698	869	869	872	915	250
25A	160	63	63	648	648	829	829	822	865	711	711	892	892	885	928	250
40A	200	70	70	676	676	855	855	848	891	746	746	925	925	918	961	300
50A	230	78	78	688	688	837	837	845	888	766	766	915	915	923	966	300
65A	290	88	88	735	735	949	949	1000	1197	823	823	1037	1037	1088	1285	300
80A	310	93	100	834	834	994	994	1095	1292	927	934	1087	1094	1188	1392	350
100A	350	105	113	864	864	1033	1033	1103	1300	969	977	1138	1146	1208	1413	350

Unit : mm

Face to Face : ISO 5752

Pressure Rating : ANSI CL150, ANSI CL300

Valve Size	L	H1		H2						H						D
				STANDARD		EXTENSION		BELLOWS		STANDARD		EXTENSION		BELLOWS		
		CL150	CL300	CL150	CL300	CL150	CL300	CL150	CL300	CL150	CL300	CL150	CL300	CL150	CL300	
15A	130	45	48	648	648	809	809	822	865	693	696	854	857	867	913	250
20A	150	49	59	648	648	819	819	822	865	697	707	868	878	871	924	250
25A	160	54	62	648	648	829	829	822	865	702	710	883	891	876	927	250
40A	200	64	78	676	676	855	855	848	891	740	754	919	933	912	969	300
50A	230	76	83	688	688	837	837	845	888	764	771	913	920	921	971	300
65A	290	89	95	735	735	949	949	1000	1197	824	830	1038	1044	1089	1292	300
80A	310	95	105	834	834	994	994	1095	1292	929	939	1089	1099	1190	1397	350
100A	350	115	127	864	864	1033	1033	1103	1300	979	991	1148	1160	1218	1427	350

Unit : mm

Face to Face : ISO 5752

Pressure Rating : DIN PN16, PN25, PN40

Valve Size	L	H1			H2									H									D
					STANDARD			EXTENSION			BELLOWS			STANDARD			EXTENSION			BELLOWS			
		PN16	PN25	PN40	PN16	PN25	PN40	PN16	PN25	PN40	PN16	PN25	PN40	PN16	PN25	PN40	PN16	PN25	PN40	PN16	PN25	PN40	
15A	130	48	48	48	648	648	648	809	809	809	822	865	865	696	696	696	857	857	857	870	913	913	250
20A	150	53	53	53	648	648	648	819	819	819	822	865	865	701	701	701	872	872	872	875	918	918	250
25A	160	58	58	58	648	648	648	829	829	829	822	865	865	706	706	706	887	887	887	880	923	923	250
40A	200	75	75	75	676	676	676	855	855	855	848	891	891	751	751	751	930	930	930	923	966	966	300
50A	230	83	83	83	688	688	688	837	837	837	845	888	888	771	771	771	920	920	920	928	971	971	300
65A	290	93	93	93	735	735	735	949	949	949	1000	1197	1197	828	828	828	1042	1042	1042	1093	1290	1290	300
80A	310	100	100	100	834	834	834	994	994	994	1095	1292	1292	934	934	934	1094	1094	1094	1195	1392	1392	350
100A	350	110	118	118	864	864	864	1033	1033	1033	1103	1300	1300	974	982	982	1143	1151	1151	1213	1418	1418	350

Unit : mm

ATC, Normal Open with Handwheel

Face to Face : IEC 60534-3-1

Pressure Rating : ANSI CL150, ANSI CL300, ANSI CL600

Valve Size	L			H1			H2									H									D
							STANDARD			EXTENSION			BELLOWS			STANDARD			EXTENSION			BELLOWS			
	CL150	CL300	CL600	CL150	CL300	CL600	CL150	CL300	CL600	CL150	CL300	CL600	CL150	CL300	CL600	CL150	CL300	CL600	CL150	CL300	CL600	CL150	CL300	CL600	
15A	184	190	203	45	48	48	648	648	665	809	809	826	822	865	1001	693	696	713	854	857	874	867	913	1049	250
20A	184	194	206	49	59	59	648	648	665	819	819	836	822	865	1001	697	707	724	868	878	895	871	924	1060	250
25A	184	197	210	54	62	62	648	648	665	829	829	846	822	865	1001	702	710	727	883	891	908	876	927	1063	250
40A	222	235	251	64	78	78	676	676	693	855	855	922	848	891	1027	740	754	771	919	933	1000	912	969	1105	300
50A	254	267	286	76	83	83	688	688	705	837	837	961	845	888	1024	764	771	788	913	920	1044	921	971	1107	300
80A	298	317	337	95	105	105	834	834	834	994	994	1044	1095	1292	1257	929	939	939	1089	1099	1149	1190	1397	1362	350
100A	352	368	394	115	127	137	864	864	864	1033	1033	1099	1103	1300	1265	979	991	1001	1148	1160	1236	1218	1427	1402	350

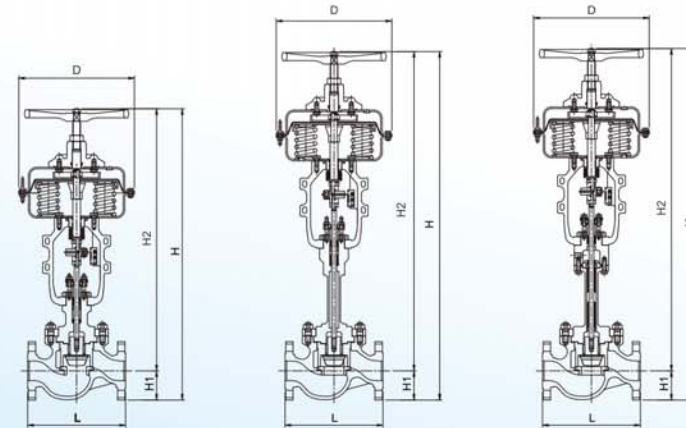
Unit : mm

Face to Face : IEC 60534-3-1

Pressure Rating : DIN PN16, PN25, PN40

Valve Size	L			H1			H2									H									D
							STANDARD			EXTENSION			BELLOWS			STANDARD			EXTENSION			BELLOWS			
	PN16	PN25	PN40	PN16	PN25	PN40	PN16	PN25	PN40	PN16	PN25	PN40	PN16	PN25	PN40	PN16	PN25	PN40	PN16	PN25	PN40	PN16	PN25	PN40	
15A	184	190	190	48	48	48	648	648	648	809	809	809	822	865	865	696	696	696	857	857	857	870	913	913	250
20A	184	194	194	53	53	53	648	648	648	819	819	819	822	865	865	701	701	701	872	872	872	875	918	918	250
25A	184	197	197	58	58	58	648	648	648	829	829	829	822	865	865	706	706	706	887	887	887	880	923	923	250
40A	222	235	235	75	75	75	676	676	676	855	855	855	848	891	891	751	751	751	930	930	930	923	966	966	300
50A	254	267	267	83	83	83	688	688	688	837	837	837	845	888	888	771	771	771	920	920	920	928	971	971	300
80A	298	317	317	100	100	100	834	834	834	994	994	994	1095	1292	1292	934	934	934	1094	1094	1094	1195	1392	1392	350
100A	352	368	368	110	118	118	864	864	864	1033	1033	1033	1103	1300	1300	974	982	982	1143	1151	1151	1213	1418	1418	350

Unit : mm



Standard

Extension

Bellows Seal

Face to Face : ISO 5752

Pressure Rating : JIS 10K, 20K

Valve Size	L	H1		H2						H						D
				STANDARD		EXTENSION		BELLOWS		STANDARD		EXTENSION		BELLOWS		
		10K	20K	10K	20K	10K	20K	10K	20K	10K	20K	10K	20K			
15A	130	48	48	641	641	802	802	815	858	689	850	850	863	906	250	
20A	150	50	50	641	641	812	812	815	858	691	862	862	865	908	250	
25A	160	63	63	641	641	822	822	815	858	704	885	885	878	921	250	
40A	200	70	70	669	669	848	848	841	884	739	918	918	911	954	300	
50A	230	78	78	681	681	830	830	838	881	759	908	908	916	959	300	
65A	290	88	88	728	728	942	942	993	1190	816	1030	1030	1081	1278	300	
80A	310	93	100	861	861	1021	1021	1122	1319	961	1114	1121	1215	1419	350	
100A	350	105	113	891	891	1060	1060	1130	1327	1004	1165	1173	1235	1440	350	

Unit : mm

Face to Face : ISO 5752

Pressure Rating : ANSI CL150, ANSI CL300

Valve Size	L			H1		H2						H						D
						STANDARD		EXTENSION		BELLOWS		STANDARD		EXTENSION		BELLOWS		
	CL150	CL300	CL150	CL300	CL150	CL300	CL150	CL300	CL150	CL300	CL150	CL300	CL150	CL300	CL150	CL300		
15A	130	45	48	641	641	802	802	815	858	686	689	847	850	860	906	250		
20A	150	49	59	641	641	812	812	815	858	690	700	861	871	864	917	250		
25A	160	54	62	641	641	822	822	815	858	695	703	876	884	869	920	250		
40A	200	64	78	669	669	848	848	841	884	733	747	912	926	905	962	300		
50A	230	76	83	681	681	830	830	838	881	757	764	906	913	914	964	300		
65A	290	89	95	728	728	942	942	993	1190	817	823	1031	1037	1082	1285	300		
80A	310	95	105	861	861	1021	1021	1122	1319	956	966	1116	1126	1217	1424	350		
100A	350	115	127	891	891	1060	1060	1130	1327	1006	1018	1175	1187	1245	1454	350		

Unit : mm

Face to Face : IEC 60534-3-1

Pressure Rating : ANSI CL150, ANSI CL300, ANSI CL600

Valve Size	L			H1			H2						H						D						
							STANDARD		EXTENSION		BELLOWS		STANDARD		EXTENSION		BELLOWS								
	CL150	CL300	CL600	CL150	CL300	CL600	CL150	CL300	CL600	CL150	CL300	CL600	CL150	CL300	CL600	CL150	CL300	CL600							
15A	184	190	203	45	48	48	641	641	658	802	802	819	815	858	994	686	689	706	847	850	867	860	906	1042	250
20A	184	194	206	49	59	59	641	641	658	812	812	829	815	858	994	690	700	717	861	871	888	864	917	1053	250
25A	184	197	210	54	62	62	641	641	658	822	822	839	815	858	994	695	703	720	876	884	901	869	920	1056	250
40A	222	235	251	64	78	78	669	669	686	848	848	915	841	884	1020	733	747	764	912	926	993	905	962	1098	300
50A	254	267	286	76	83	83	681	681	698	830	830	954	838	881	1017	757	764	781	906	913	1037	914	964	1100	300
80A	298	317	337	95	105	105	861	861	861	1021	1021	1071	1122	1319	1284	956	966	966	1116	1126	1176	1217	1424	1389	350
100A	352	368	394	115	127	137	891	891	891	1060	1060	1126	1130	1327	1292	1006	1018	1028	1175	1187	1263	1245	1454	1429	350

Unit : mm

Face to Face : ISO 5752

Pressure Rating : DIN PN16, PN25, PN40

Valve Size	L			H1			H2						H						D				
							STANDARD		EXTENSION		BELLOWS		STANDARD		EXTENSION		BELLOWS						
	PN16	PN25	PN40	PN16	PN25	PN40	PN16	PN25	PN40	PN16	PN25	PN40	PN16	PN25	PN40	PN16	PN25	PN40					
15A	130	48	48	48	641	641	641	802	802	802	815	858	858	689	689	689	850	850	850	863	906	906	250
20A	150	53	53	53	641	641	641	812	812	812	815	858	858	694	694	694	865	865	865	868	911	911	250
25A	160	58	58	58	641	641	641	822	822	822	815	858	858	699	699	699	880	880	880	873	916	916	250
40A	200	75	75	75	669	669	669	848	848	848	841	884	884	744	744	744	923	923	923	916	959	959	300
50A	230	83	83	83	681	681	681	830	830	830	838	881	881	764	764	764	913	913	913	921	964	964	300
65A	290	93	93	93	728	728	728	942	942	942	993	1190	1190	821	821	821	1035	1035	1035	1086	1283	1283	300
80A	310	100	100	100	861	861	861	1021	1021	1021	1122	1319	1319	961	961	961	1121	1121	1121	1222	1419	1419	350
100A	350	110	118	118	891	891	891	1060	1060	1060	1130	1327	1327	1001	1009	1009	1170	1178	1178	1240	1445	1445	350

Unit : mm

Face to Face : IEC 60534-3-1

Pressure Rating : DIN PN16, PN25, PN40

Valve Size	L			H1			H2						H						D						
							STANDARD		EXTENSION		BELLOWS		STANDARD		EXTENSION		BELLOWS								
	PN16	PN25	PN40	PN16	PN25	PN40	PN16	PN25	PN40	PN16	PN25	PN40	PN16	PN25	PN40	PN16	PN25	PN40							
15A	184	190	190	48	48	48	641	641	641	802	802	802	815	858	858	689	689	689	850	850	850	863	906	906	250
20A	184	194	194	53	53	53	641	641	641	812	812	812	815	858	858	694	694	694	865	865	865	868	911	911	250
25A	184	197	197	58	58	58	641	641	641	822	822	822	815	858	858	699	699	699	880	880	880	873	916	916	250
40A	222	235	235	75	75	75	669	669	669	848	848	848	841	884	884	744	744	744	923	923	923	916	959	959	300
50A	254	267	267	83	83	83	681	681	681	830	830	830	838	881	881	764	764	764	913	913	913	921	964	964	300
80A	298	317	317	100	100	100	861	861	861	1021	1021	1021	1122	1319	1319	961	961	961	1121	1121	1121	1222	1419	1419	350
100A	352	368	368	110	118	118	891	891	891	1060	1060	1060	1130	1327	1327	1001	1009	1009	1170	1178	1178	1240	1445	1445	350

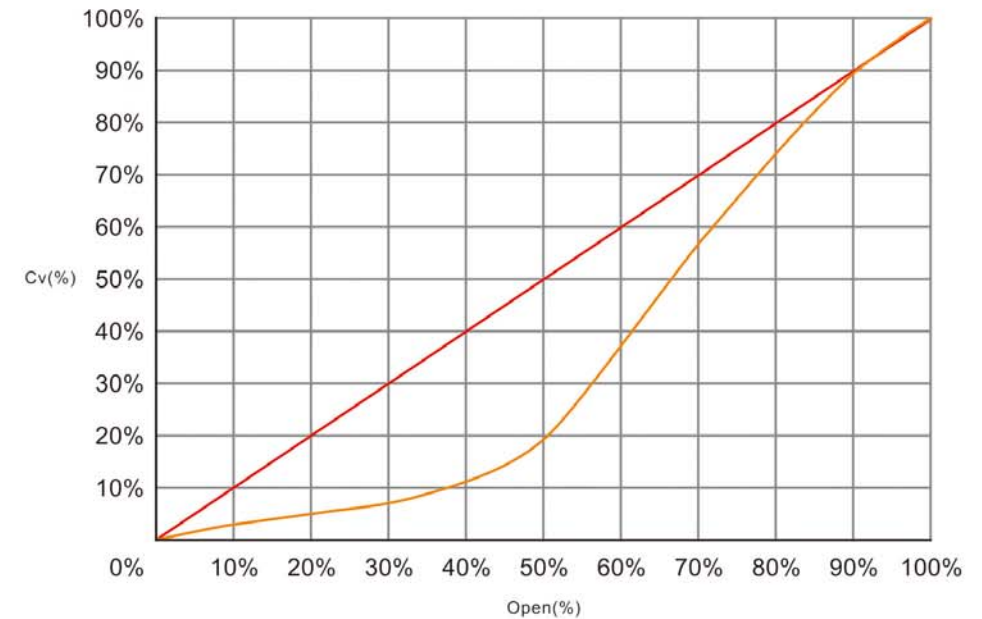
Unit : mm

Shut-Off Pressure

Metal Seat Contoured Plug
Standard ATO Actuator for Normal Metal Seat in Leakage Class IV

Actuator Size	Spring Range (kg/cm ²)	Valve Size								
		15	20	25	40	50	65	80	100	
Travel (mm)		1/2"	3/4"	1"	1-1/2"	2"	2-1/2"	3"	4"	
		20				30			35	
250	0.2~1.0	9	8	7						
	0.4~2.0	30	19	11	4					
	0.6~1.1	46	17	7						
	0.8~1.5	50	30	14	4					
	1.0~2.0		50	29	10	4				
300	0.2~1.0				4					
	0.4~2.0				9	4				
	0.8~2.4						3			
	0.8~1.6			39	15	7				
	1.0~2.0			50	21	10				
	1.2~2.3				27	13				
	1.1~2.5						5			
1.3~2.9						7	4			
350	0.8~2.4							5.5	1.5	
	1.2~1.8				40	20				
	1.5~2.4				50	29				
	1.7~2.7					34				
	1.2~2.2						11	8		
	1.6~2.8						17	12		
	1.7~3.2						19	14		
	1.6~3.0								5	
	1.7~3.4								7	
460	1.1~1.5					43				
	1.4~1.9					50				
	1.1~1.7						25	18		
	1.4~2.2						33	24		
	1.7~2.6						42	30		
	1.1~1.8								9	
	1.4~2.3								12	
	1.7~2.8								16	

Valve Characteristic



— Linear — EQ%

C_v Value

Trim Type : Contour Direction : FTO Flow Characteristic : EQ%

Valve Size		ASME Rating	Percent of Travel				F _L	Rated C _v										
			Orifice Diameter		Travel			10	20	30	40	50	60	70	80	90	100	
inch	mm		inch	mm	inch	mm												
0.5	15	Class 150-600	0.5	12.7	0.79	20		0.86	0.25	0.40	0.53	0.82	1.32	2.24	3.13	3.79	4.26	4.59
			0.4	10				0.85	0.08	0.15	0.24	0.37	0.60	1.11	1.64	2.08	2.43	2.73
			0.3	8				0.91	0.08	0.12	0.17	0.28	0.49	0.91	1.35	1.72	2.04	2.35
			0.24	6				0.92	0.04	0.07	0.10	0.16	0.27	0.50	0.75	0.98	1.16	1.31
			0.24	6				0.89	0.02	0.04	0.07	0.12	0.21	0.40	0.6	0.78	0.92	1.04
			0.24	6				0.88	0.02	0.03	0.05	0.08	0.15	0.30	0.46	0.61	0.74	0.84
			0.16	4				0.85	0.01	0.02	0.03	0.06	0.11	0.22	0.33	0.44	0.52	0.59
			0.16	4				0.87	0.02	0.04	0.05	0.06	0.08	0.17	0.27	0.35	0.43	0.50
			0.16	4				0.90	0.02	0.03	0.04	0.05	0.09	0.16	0.24	0.30	0.36	0.41
			0.75	19				0.93	0.36	0.57	0.84	1.29	2.09	3.67	5.39	6.80	8.14	9.35
0.75	20	Class 150-600	0.5	12.7	0.79	20		0.92	0.18	0.32	0.49	0.76	1.30	2.28	3.37	4.28	5.06	5.60
			0.4	10				0.93	0.09	0.17	0.24	0.36	0.62	1.13	1.67	2.13	2.53	2.86
			0.3	8				0.98	0.06	0.10	0.17	0.29	0.50	0.92	1.36	1.77	2.11	2.44
			0.24	6				0.96	0.04	0.07	0.09	0.16	0.27	0.50	0.75	0.98	1.17	1.32
			0.24	6				0.92	0.04	0.06	0.08	0.12	0.20	0.40	0.60	0.77	0.92	1.06
			0.24	6				0.90	0.02	0.05	0.07	0.10	0.18	0.31	0.48	0.63	0.75	0.86
			0.16	4				0.85	0.01	0.02	0.03	0.06	0.11	0.22	0.33	0.44	0.52	0.59
			0.16	4				0.87	0.02	0.04	0.05	0.06	0.08	0.17	0.27	0.35	0.43	0.50
			0.16	4				0.90	0.02	0.03	0.041	0.06	0.09	0.16	0.24	0.31	0.37	0.42
			1	25.4				0.85	0.47	0.78	1.10	1.80	3.10	5.53	8.32	11.4	14.7	17.1
1	25	Class 150-600	0.75	19	0.79	20		0.89	0.30	0.50	0.73	1.18	2.09	3.78	5.57	7.23	8.78	10.4
			0.5	12.7				0.88	0.16	0.29	0.45	0.75	1.25	2.28	3.33	4.32	5.11	5.81
			0.4	10				0.93	0.21	0.30	0.36	0.53	0.89	1.46	2.17	2.84	3.36	3.74
			0.3	8				0.86	0.08	0.13	0.21	0.32	0.56	1.03	1.50	1.90	2.22	2.54
			0.24	6				0.96	0.05	0.07	0.10	0.17	0.29	0.53	0.79	1.01	1.20	1.35
			0.24	6				0.92	0.03	0.05	0.08	0.11	0.20	0.40	0.60	0.77	0.92	1.06
			0.24	6				0.90	0.02	0.03	0.05	0.09	0.15	0.30	0.46	0.61	0.73	0.86
			0.16	4				0.85	0.01	0.02	0.04	0.06	0.12	0.23	0.34	0.44	0.52	0.59
			0.16	4				0.87	0.02	0.03	0.04	0.06	0.09	0.17	0.27	0.36	0.44	0.50
			0.16	4				0.90	0.01	0.02	0.03	0.05	0.08	0.15	0.23	0.30	0.36	0.42

C_v Value

Trim Type : Contour Direction : FTO Flow Characteristic : EQ%

Valve Size		ASME Rating	Percent of Travel				F _L	Rated C _v										
			Orifice Diameter		Travel			10	20	30	40	50	60	70	80	90	100	
inch	mm		inch	mm	inch	mm												
1.5	40	Class 150-600	1.5	38	0.79	20		0.88	1.17	1.91	2.69	4.18	6.95	12.5	21.4	30.1	35.6	38.4
			1.25	32				0.91	1.02	1.59	2.33	3.63	5.88	10.5	15.8	20.5	25.3	29.4
			1	25.4				0.87	0.84	1.23	1.73	2.72	4.39	7.73	11.4	14.8	18.0	20.9
			0.75	19				0.89	0.47	0.87	1.18	1.79	2.94	5.27	7.58	9.75	11.7	13.4
			2	51				0.92	2.35	3.45	4.91	7.61	11.5	19.2	28.8	39.2	48.1	54.5
2	50	Class 150-600	1.5	38	0.79	20		0.93	1.16	2.18	3.13	4.91	8.37	14.3	21.1	27.5	33.7	39.3
			1	25				0.92	0.73	1.19	1.74	2.70	4.38	7.74	11.3	14.4	17.2	19.6
			0.5	15				0.92	0.17	0.36	0.68	1.15	1.95	3.48	5.23	6.72	7.97	8.95
2.5	65	Class 150-600	2.5	65	1.18	30		0.91	3.40	5.31	7.39	11.6	18.6	32.8	49.7	66.9	82.8	95.7
			2	61				0.92	2.35	3.79	5.28	8.18	13.4	23.7	34.9	45.5	56.2	66.0
			1.5	38				0.86	1.50	2.58	3.66	5.70	9.28	16.5	24.2	31.0	37.8	44.5
			1	25				0.85	0.72	1.24	1.81	2.85	4.68	8.48	12.7	16.4	19.7	23.0
3	80	Class 150-600	3	76	1.18	30		0.87	3.90	5.20	9.20	14.7	23.8	43.0	66.5	87.9	106	116
			2.5	65				0.89	2.90	4.80	7.10	11.3	18.7	32.1	45.9	61.3	77.3	90.1
			2	51				0.88	1.80	3.20	4.60	7.30	12.2	20.7	30.0	39.8	49.6	58.3
			1.5	38				0.92	1.50	2.30	3.20	4.70	8.20	14.5	20.6	26.8	32.6	38.3
4	100	Class 150-600	4	101.6	1.38	35		0.84	5.60	10.0	14.8	22.1	37.3	74.5	120	155	182	198
			3	76				0.81	5.03	8.04	11.2	17.2	28.6	50.4	73.6	95.7	117	135
			2.5	65				0.95	3.01	5.15	7.35	11.2	19.4	34.5	50.4	65.1	80.5	94.5
			2	51				0.95	2.17	4.05	5.80	7.40	11.4	23.0	35.5	46.4	56.3	66.3

C_v Value

Trim Type : Contour Direction : FTO Flow Characteristic : Linear

Valve Size		ASME Rating	Orifice Diameter		Travel		F _L	Percent of Travel										
inch	mm		inch	mm	inch	mm		10	20	30	40	50	60	70	80	90	100	
0.5	15	Class 150-600	0.79	20	0.5	12.7	0.86	0.72	1.37	1.94	2.49	2.96	3.40	3.74	4.08	4.40	4.63	
					0.4	10		0.85	0.34	0.65	0.96	1.24	1.53	1.78	2.03	2.29	2.53	2.77
					0.3	8		0.89	0.27	0.51	0.77	1.02	1.25	1.47	1.69	1.91	2.13	2.37
					0.24	6		0.93	0.15	0.29	0.43	0.57	0.71	0.84	0.97	1.09	1.21	1.33
					0.24	6		0.91	0.11	0.22	0.33	0.44	0.54	0.65	0.75	0.85	0.95	1.06
					0.24	6		0.89	0.09	0.17	0.25	0.34	0.43	0.52	0.60	0.68	0.77	0.87
					0.16	4		0.89	0.07	0.13	0.19	0.26	0.32	0.38	0.44	0.49	0.55	0.61
					0.16	4		0.88	0.05	0.10	0.15	0.21	0.26	0.31	0.36	0.41	0.46	0.52
					0.16	4		0.90	0.04	0.08	0.12	0.16	0.20	0.24	0.28	0.32	0.36	0.40
					0.75	20		Class 150-600	0.79	20	0.75	19	0.86	1.15	2.17	3.15	4.07	4.86
0.5	12.7	0.88	0.69	1.36			1.97				2.56	3.10		3.63	4.12	4.56	5.01	5.44
0.4	10	0.92	0.33	0.63			0.94				1.24	1.54		1.83	2.09	2.36	2.62	2.92
0.3	8	0.84	0.27	0.52			0.77				1.03	1.27		1.49	1.73	1.96	2.20	2.47
0.24	6	0.89	0.15	0.289			0.43				0.57	0.71		0.84	0.97	1.10	1.23	1.36
0.24	6	0.88	0.11	0.22			0.33				0.44	0.55		0.65	0.75	0.85	0.96	1.07
0.24	6	0.86	0.092	0.178			0.26				0.34	0.43		0.515	0.60	0.69	0.78	0.87
0.16	4	0.89	0.07	0.14			0.20				0.26	0.32		0.38	0.45	0.51	0.56	0.61
0.16	4	0.88	0.05	0.10			0.16				0.21	0.26		0.31	0.36	0.41	0.47	0.53
0.16	4	0.90	0.04	0.08			0.12				0.16	0.20		0.21	0.28	0.32	0.36	0.41
1	25	Class 150-600	0.79	20	1	25.4	0.87	1.57	3.05	4.50	5.80	7.19	8.70	10.4	12.5	15.0	17.2	
					0.75	19		0.89	1.12	2.13	3.12	4.13	5.06	6.02	6.96	8.00	9.16	10.6
					0.5	12.7		0.92	0.70	1.37	2.00	2.64	3.22	3.80	4.35	4.90	5.49	6.06
					0.4	10		0.92	0.37	0.70	1.03	1.34	1.63	1.91	2.20	2.47	2.72	2.96
					0.3	8		0.86	0.28	0.53	0.79	1.06	1.31	1.54	1.78	2.02	2.28	2.54
					0.24	6		0.89	0.14	0.27	0.41	0.56	0.69	0.82	0.95	1.08	1.21	1.36
					0.24	6		0.88	0.10	0.20	0.31	0.42	0.53	0.63	0.73	0.84	0.94	1.07
					0.24	6		0.86	0.08	0.17	0.25	0.33	0.42	0.50	0.59	0.67	0.77	0.87
					0.16	4		0.89	0.07	0.13	0.19	0.25	0.32	0.38	0.44	0.49	0.55	0.61
					0.16	4		0.88	0.05	0.10	0.16	0.21	0.26	0.31	0.36	0.41	0.47	0.53
0.16	4	0.99	0.03	0.07	0.11	0.16	0.20	0.24	0.27	0.31	0.36	0.41						

C_v Value

Trim Type : Contour Direction : FTO Flow Characteristic : Linear

Valve Size		ASME Rating	Orifice Diameter		Travel		F _L	Percent of Travel										
inch	mm		inch	mm	inch	mm		10	20	30	40	50	60	70	80	90	100	
1.5	40	Class 150-600	0.79	20	1.5	38	0.86	3.91	7.18	10.6	14.0	17.5	21.8	26.2	31.0	35.2	38.5	
					1.25	32		0.91	3.23	6.17	9.18	11.8	14.5	17.2	20.2	23.5	27.2	30.4
					1	25.4		0.92	2.31	4.48	6.72	9.02	11.0	12.8	14.8	16.9	19.2	21.7
					0.75	19		0.88	1.55	2.98	4.47	6.04	7.42	8.65	9.90	11.2	12.6	13.9
					2	51		0.89	5.04	10.0	15.2	20.4	25.9	31.6	37.8	44.0	50.7	56.9
2	50	Class 150-600	0.79	20	1.5	38	0.960	4.08	7.93	12.1	16.1	20.0	24.0	28.0	32.5	37.3	41.7	
					1	25		0.94	2.36	4.46	6.64	8.85	11.0	12.9	14.8	16.8	18.9	20.6
					0.5	15		0.96	1.00	2.01	2.93	3.94	4.89	5.85	6.75	7.64	8.53	9.23
2.5	65	Class 150-600	1.18	30	2.5	65	0.86	9.60	18.8	27.8	36.9	45.8	55.4	65.8	76.4	86.8	97.7	
					2	51		0.89	7.06	13.7	20.2	26.6	33.0	39.3	46.0	53.2	60.6	68.9
					1.5	38		0.87	5.18	9.82	14.4	18.8	23.3	27.6	31.7	36.1	40.5	44.6
					1	25		0.86	2.55	4.91	7.27	9.72	12.2	14.6	16.9	19.2	21.4	23.7
3	80	Class 150-600	1.18	30	3	76	0.86	11.5	23.0	34.5	46.5	58.9	72.0	85.6	98.8	110	120	
					2.5	65		0.91	9.30	17.6	25.8	33.6	42.2	51.0	60.8	70.8	82.2	94.2
					2	51		0.85	6.80	12.8	18.4	24.2	30.1	36.0	42.4	49.2	56.2	63.3
					1.5	38		0.88	4.10	8.20	12.4	16.5	20.4	24.2	28.0	32.0	36.0	40.2
4	100	Class 150-600	1.38	35	4	101.6	0.90	18.8	37.4	56.0	75.6	97.0	118	140	161	182	200	
					3	76		0.93	14.3	27.6	40.8	54.6	67.7	81.2	95.7	111	126	141
					2.5	65		0.91	9.21	18.2	27.6	37.2	47.0	56.1	65.6	76.0	87.0	98.5
					2	51		0.87	7.02	13.4	20.2	26.8	33.6	40.3	47.0	54.0	61.4	69.3